

PROJECT	QUANTITY	ITEM NO
---------	----------	---------

Evolution Elite® Open Fryers



- EEE 141** 1-well electric
- EEE 142** 2-well electric
- EEE 143** 3-well electric
- EEE 144** 4-well electric



EEE 143 3-well open fryer

Henny Penny Evolution Elite® open fryers use innovative technology to extend the useful life of cooking oil and significantly reduce its consumption.

A smaller fry vat allows the same amount of product to be cooked in **40% less oil**.^{*} Sensor-activated Oil Guardian™ monitors oil level and automatically replenishes oil from a reservoir inside the fryer cabinet. This eliminates manual add backs and results in less frequent oil disposal.

The Evolution Elite® combines reduced oil capacity with fast, easy filtering to extend oil life, improve product quality and reduce oil costs.

Filter Beacon® signals operators that a particular vat needs to be filtered. SmartFilter Express™ prompts operator to open the convenient external drain release, then drains and filters oil, rinses away crumbs and returns hot filtered oil to the vat in less than four minutes.[†] Other vats continue to cook uninterrupted.

Henny Penny Evolution Elite® series open fryers recover temperature very quickly and earn the ENERGY STAR® mark with over 82% energy efficiency.

iControl™ offers programmable operation plus a host of frying and oil management features.

Choose from 1, 2, 3, or 4-well, full or split vat configurations. Auto lift models and optional matching profile dump station available.



External drain release



Oil replenished automatically from JIB for multi-well (left) or reservoir for 1-well (right)

^{*}Based on throughput tests according to ASTM standards.

[†]4 minute filtration possible when following conditions are met:

- Ambient temperatures at or above 72° (22°C)
- Drain pan temperature at or above 160°F (71°C) at the beginning of the filtration cycle
- Filtration media that has been previously saturated with oil, but not overly saturated with impurities
- Filtration media is changed at the frequency recommended for your operation

Standard Features

- Cooks the same size load in 40% less oil than standard 50 lb vat
- Oil Guardian™ automatic top off level sensors monitor oil level and add fresh oil as needed
- SmartFilter Express™
 - Filter vats individually as needed
 - Convenient external drain release, no other handles or valves, no need to open fryer doors
 - Rinse-wave action drains crumbs
 - Hot filtered oil returned, ready for drop in less than 4 minutes*
- Filter Beacon® filtration prompt
- Heavy-duty stainless steel vats with 7-year warranty
- High-limit temperature protection
- Full vat, split vat or combination
- Auto lift automatically lowers and raises basket to begin and end cook cycle (additional charge)
- Heavy-duty basket rest removes easily for cleaning
- Hinged elements makes vat clean-out quick and easy
- Stainless steel construction for easy-cleaning and long life
- 4 heavy-duty casters, 2 locking
- iControl™
 - 10 programmable cook cycles
 - Idle and melt modes
 - Load compensation
 - Proportional control
 - Filter tracking
 - Clean-out mode
 - Easy to switch language settings

Accessories shipped with unit

- Fry baskets (additional charge)
 - 1 full basket per well
 - 2 half baskets per well
- 1 basket support for each vat
- Element lift tool
- Max filter screen
- Installation and operating manual

Optional accessories

- FDS 210 fryer dump station with matching profile—can be attached
- ODS 300 50 lb oil disposal shuttle
- Fry well covers
- SmartFilter™ pads
- SmartFilter™ paper
- Oil dispensing jug

<input type="checkbox"/> APPROVED	<input type="checkbox"/> APPROVED AS NOTED	<input type="checkbox"/> RESUBMIT
AUTHORIZED SIGNATURE		DATE

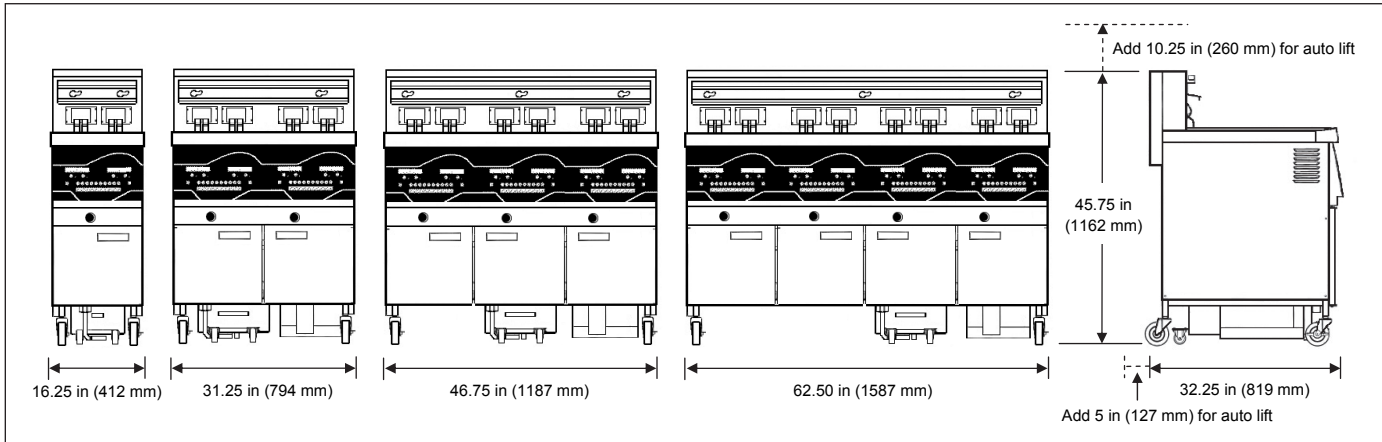


PROJECT

ITEM NO

Evolution Elite® Open Fryers

EEE 141 1-well electric
EEE 142 2-well electric
EEE 143 3-well electric
EEE 144 4-well electric



	EEE 141	EEE 142	EEE 143	EEE 144
Dimensions				
Width	16.25 in (413mm)	31.25 in (794 mm)	46.75 in (1187 mm)	62.50 in (1588 mm)
Depth	32.25 in (819 mm)	32.25 in (819 mm)	32.25 in (819 mm)	32.25 in (819 mm)
Height	45.75 in (1162 mm)	45.75 in (1162 mm)	45.75 in (1162 mm)	45.75 in (1162 mm)
Crated				
Length	33 in (838 mm)	38 in (965 mm)	54 in (1372 mm)	68 in (1727 mm)
Depth	21 in (533 mm)	39 in (991 mm)	39 in (991 mm)	39 in (991 mm)
Height	52 in (1321 mm)	55 in (1397 mm)	55 in (1397 mm)	55 in (1397 mm)
Volume	21 ft ³ (0.59 m ³)	47 ft ³ (0.90 m ³)	67 ft ³ (1.9 m ³)	84 ft ³ (2.4 m ³)
Weight				
1 full	302 lb (137 kg)	N/A	N/A	N/A
1 split	317 lb (144 kg)	N/A	N/A	N/A
2 full	N/A	441 lb (200 kg)	554 lb (252 kg)	732 lb (332 kg)
2 split	N/A	472 lb (214 kg)	580 lb (263 kg)	732 lb (332 kg)
3 full	N/A	N/A	528 lb (265 kg)	719 lb (326 kg)
3 split	N/A	N/A	606 lb (275 kg)	745 lb (338 kg)
4 full	N/A	N/A	N/A	702 lb (319 kg)
4 split	N/A	N/A	N/A	758 lb (344 kg)
Heating immersed elements				
□ Low	14.0 kW total	28.0 kW total	42.0 kW total	56.0 kW total
□ High*	17.0 kW total	34.0 kW total	51.0 kW total	68.0 kW total

Electrical

Volts	Phase	Hertz	kW per well*	Amps per well	Wire†
208	3	60	14.0	39.4**	3+G
240	3	60	14.0	34.2**	3+G
220/380	3	50/60	14.0	24.3	3NG
230/400	3	50/60	14.0	24.3	3NG
240/415	3	50/60	14.0	24.3	3NG

Plugs for 208 V and 240 V

NEMA 15-50P



NEMA 15-60P

Not available for Canada



Oil capacity

30 lb or 15 L per full vat

Required clearances

Sides 6 in (152 mm) air flow
 Back 6 in (152 mm) air flow, connections
 Front 30 in (762 mm) remove filter pan
 Top 11 in (280 mm) for auto lift

Bidding specifications

Provide Henny Penny Evolution Elite® model EEE 141, 142, 143, or 144 reduced oil capacity electric open fryer designed to operate with 30 lb (14 kg) oil capacity per full vat. Unit may be ordered with full or split vat(s).

Unit shall incorporate:

- Oil Guardian™ automatic oil top off system from jug-in-box or other reservoir in fryer cabinet
- Filter Beacon® automatic filter prompt
- SmartFilter Express™ integral filtration system that filters oil from one vat while cooking continues in other vats
- Oil drain pan with 4 casters and lock-in system with sensor warning when pan is not properly locked into place
- Unit qualifies for the ENERGY STAR® mark.
- Auto lift feature available at additional cost
- Fry vats of heavy duty stainless steel with 7-year warranty
- iControl™ with programmable operation, LED digital display, idle and melt modes, load compensation, proportional control, filtration tracking, clean-out mode and multiple language settings
- 4 heavy-duty casters, 2 locking

Laboratory certifications



*17.0 kW power available with full vat units, only. **Additional amperage required to operate non-heating electrical components.

†Power cord and plug must be installed on site by a qualified electrician.

Continuing product improvement may subject specifications to change without notice.

24 Hour Technical Support:
 Henny Penny Technical Service
 800 417.8405
technicalservices@hennypenny.com

Henny Penny Corporation
 PO Box 60 Eaton OH 45320 USA

+1 937 456.8400 800 417.8417
 +1 937 456.8434 Fax 800 417.8434 Fax

www.hennypenny.com

HENNY PENNY
 Engineered to Last